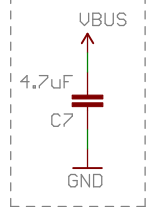
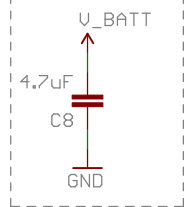


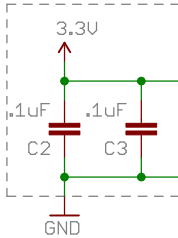
Charge Circuit Bypass



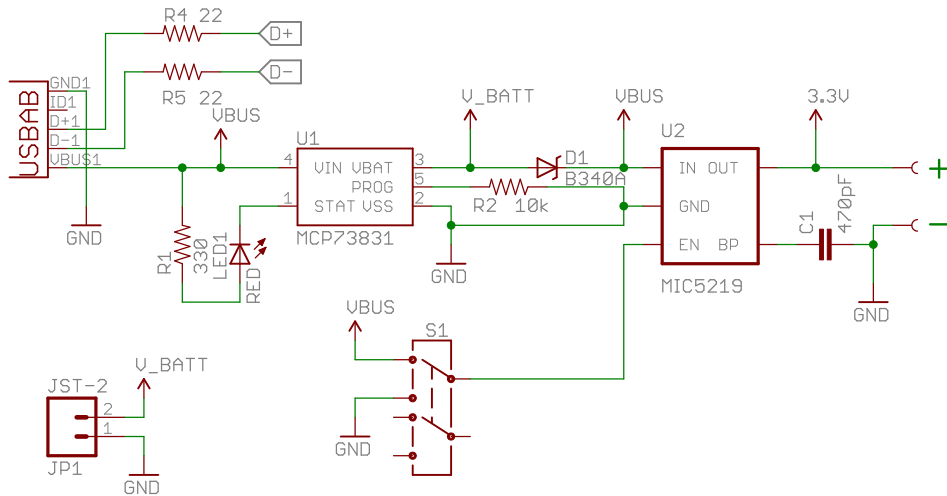
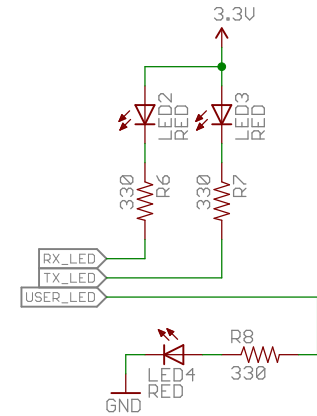
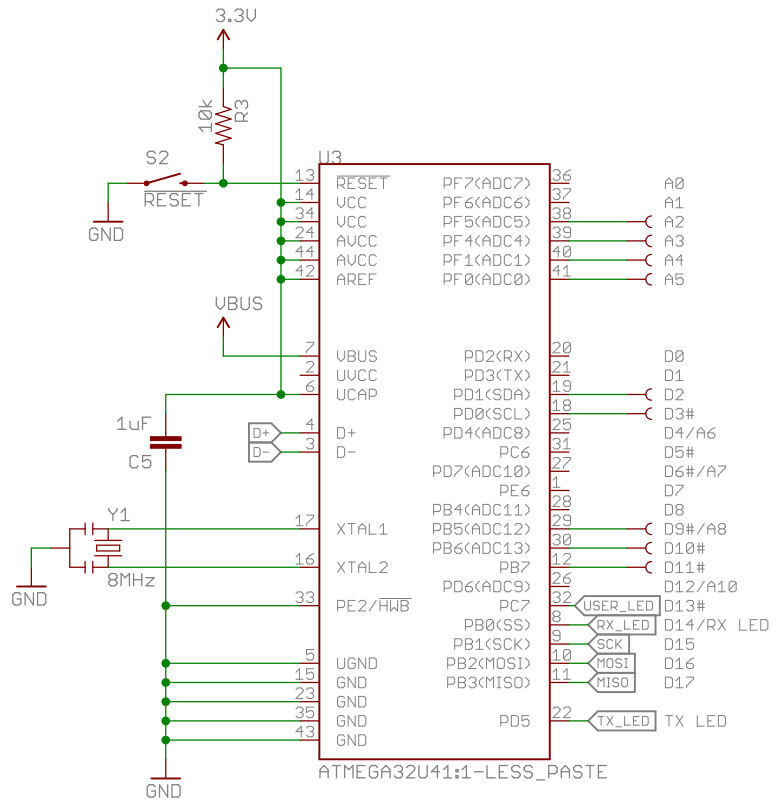
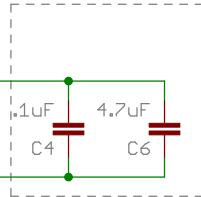
Battery Input Bypass



32u4 BYPASS



MIC5219 BYPASS



Original Lilypad Design by:
L. Buechly and N. Seidle

Lilypad
Lilypad

Released under the Creative Commons Attribution Share-Alike 4.0 License
<https://creativecommons.org/licenses/by-sa/4.0/>

TITLE: Lilypad_Arduino_USB_v12

Design by: Mike Hord
Revised by: Kade Jensen

REV:
12

Date: 4/22/2014 11:37:06 AM

Sheet: 1/1

